

Plastic Running Man

EMERGENCY SIGN

10024 / 10023 / 10197

DESCRIPTION

- Injection-Molded thermoplastic housing
- **UL 94-5VA** flame rating, fire retardant
- Super bright&Long Lasting LEDs
- Universal AC input voltage **120-347VAC**
- Test switch and AC-ON indicator
- Universal Mounting: Wall/Ceiling/SideMounting
- Single or double face with changeable legends
- Combo heads adjustable 2 * 1W
- **120 Mins.** battery backup time
- Suitable for **Damp Locations**
- Overcharge and over-discharge protection
- Operating temperature: 0 °C -40 °C/ 32 °F ~104 °F
- **Remote heads** compatible(Max 4.8W)*
- 1 year warranty
- ULc certified to C22.2-NO141-10



Comes standard with three pictogram legends for direction selection (single / double face)

BACKUP TIME

120

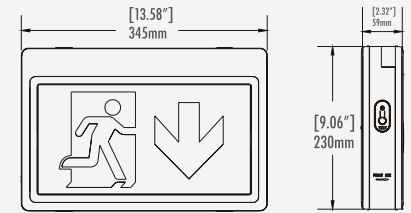
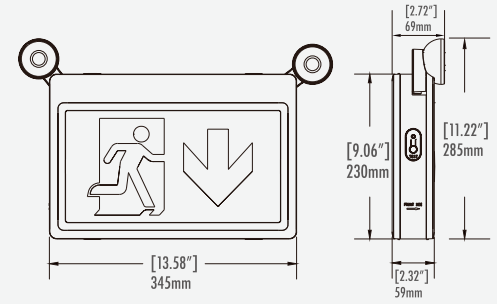
Mins

RECHARGE TIME

24/48

Hrs

PRODUCT SIZE



KEY FEATURES

Model Code	BES	BEST	BEST-RC
Product Code	10024	10023	10197
Description	Plastic running man sign	Plastic running man combo	Plastic running man combo (Remote Capable)
Light Source	SMD2835 (14pcs)	SMD2835 (14pcs) & 3030(2PCS)	SMD2835 (14pcs) & 3030(2PCS)
Input Voltage	AC120-347V, 60Hz, 80mA	AC120-347V, 60Hz, 80mA	AC120-347V, 60Hz, 80mA
Input Power	4.5W	4.5W	4.5W
Emergency Power	1W	3W	3W
LED Heads	/	2 * 1W	2 * 1W
Luminance Flux	/	≥120lm	≥120lm
Emergency Duration	120 Minutes	120 Minutes	120 Minutes
Battery	Ni-Cd 3.6V, 900mAh	Ni-Cd 3.6V, 1800mAh	Ni-Cd 3.6V, 3600mAh
Recharge Time	24 Hrs	24 Hrs	48 Hrs
Remote Capable*	/	/	3.6V, 4.8W
Max, mounting height	/	20.0 ft (6.0m)	22.7 ft (6.8m)
Instruction Sheet	VIEW	VIEW	VIEW

*Remote Add-ons (only available for 10197)



2 pcs Max
RO-Z1101UA



1 pc Max
RO-Z1102UB