



FW722

Addressable Manual Station

FW722



DESCRIPTION

The FW722 and FW722C Addressable Manual Stations are UL/ULC listed devices according to UL 38 and ULC-S528 for Fire Protective Signalling Systems for indoor use, and are also ADA compliant (5LB. maximum manual force). It is a normally open initiating device made from durable materials and solid parts for long-lasting performance. In case of fire, an alarm signal is generated by lifting the front cover and pushing the plate with the button. A red LED is visible on the station when the fire alarm signal is activated. A reset key (included) with the manual station. Terminals 3 & 4 are normally open dry contact, FW722 NC terminals 3 & 4 has normally closed dry contact.

ATTENTION

Products must be installed per the National Fire Alarm Code, NFPA 72, CAN / ULC-S524, and/or National Electrical Code, depending on the country of the installation. Check the information on equipment used in the system from other manufacturers for instructions and restrictions. The detector should never be installed in the following places: where there is a lot of exhaust gas, kitchens, near fireplaces, boilers, etc. Smoke detectors should not be used with detector guards unless the suit has been evaluated and approved for this case.

NOTE

Do not paint this unit.

Any material extrapolated from this document or Maple Armor's instructions or other materials describing the product for promotional or advertising purposes, or any other purpose, including the description of the application, the use, installation, and testing of the product is the sole

responsibility of the user. Maple Armor assumes no responsibility for the use. In no event shall Maple Armor's liability exceed the purchase price of the product.

INSTALLATION

The surface box and electrical box are optional for installation, as illustrated in Figure 1.

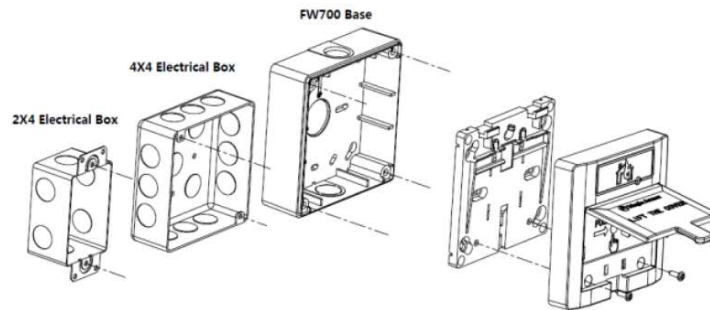
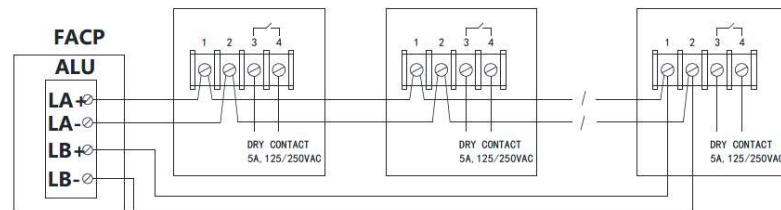
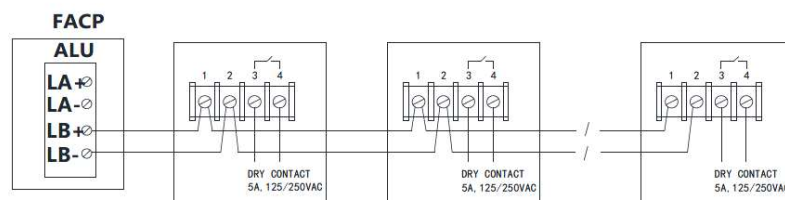


Figure 1. Manual Station Installation



(a) Class A Circuit



(b) Class B Circuit

SPECIFICATION

| | |
|-----------------------|-------------------------------------|
| FW722 | |
| Nominal Voltage | 24 VDC |
| Voltage Range | 15 to 28 VDC |
| Standby Current | 0.1 mA |
| Alarm Current | 1 mA |
| Operating Temperature | 32°F to 120°F (0°C to 49°C). |
| Operating Humidity | 0% to 93% RH |
| Housing Colour | Red with a window cover |
| Dimension (with base) | 120 mm (L) x 120 mm (W) x 54 mm (H) |
| Weight (with base) | 8.4 oz (237 g) |
| Mounting | FW700 Base |
| Wiring Gauge | 12 to 18 AWG |
| Dry contact | supplementary 30 VDC |

CATALOG NUMBER TO ORDER

| Model | Description |
|--------------|---|
| FW722 | Addressable pull station English with a normally open dry contact |
| FW722C | Addressable pull station French with a normally open dry contact |
| FW722(NC) | Addressable pull station English with a normally closed dry contact |
| FW722C(NC) | Addressable pull station French with a normally closed dry contact |
| FW700 | Surface box |
| FW PK | Reset key |
| STI-1100-FR | Stopper flush mount with 9-volt battery & mini horn |
| STI-1130-FR | Stopper surface with 9-volt battery & mini horn |
| STI-1200-FR | Stopper inside flush mount |
| STI-1230-FR | Stopper inside surface |
| STI-1250-FR | Stopper flush mount outside |
| STI-3150-FR | Stopper surface outside |