



Addressable Manual Station



FW721



DESCRIPTION

The FW721 and FW721C Addressable Manual Stations are UL/ULC listed devices according to UL 38 and ULC-S528 for Fire Protective Signalling Systems for indoor use. It is a normally open initiating device made from durable materials and solid parts for long-lasting performance. In case of fire, an alarm signal is generated by lifting the front cover and pushing the plate with the button. A red LED is visible on the station when the fire alarm signal is activated. A reset key (included) with the manual station. Terminals 3 & 4 are normally open dry contact, rated for 5 amps, 125/250Vac.

ATTENTION

Products must be installed per the National Fire Alarm Code, NFPA 72, CAN / ULC-S524, and/or National Electrical Code, depending on the country of the installation. Check the information on equipment used in the system from other manufacturers for instructions and restrictions. The detector should never be installed in the following places: where there is a lot of exhaust gas, kitchens, near fireplaces, boilers, etc. Smoke detectors should not be used with detector guards unless the suit has been evaluated and approved for this case.

NOTE

Do not paint this unit.

Any material extrapolated from this document or Maple Armor's instructions or other materials describing the product for promotional or advertising purposes, or any other purpose, including the description of the application, the use, installation, and testing of the product is the sole responsibility of the user. Maple Armor assumes no responsibility for the use. In no event shall Maple Armor's liability exceed the purchase price of the product.

Page 1 of 3

INSTALLATION

The surface box and electrical box are optional for installation, as illustrated in Figure 1.

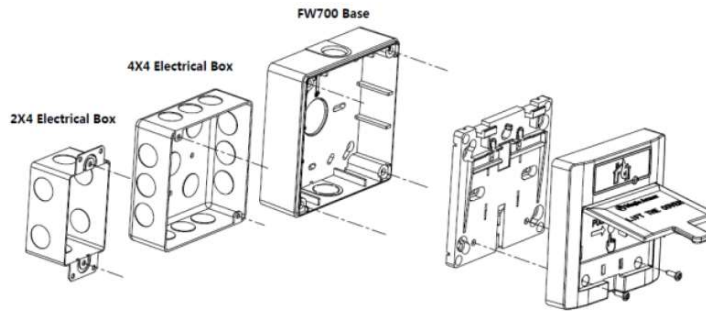
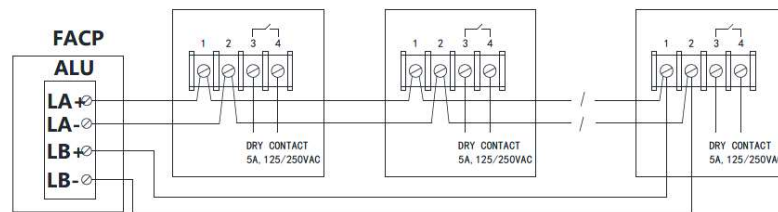
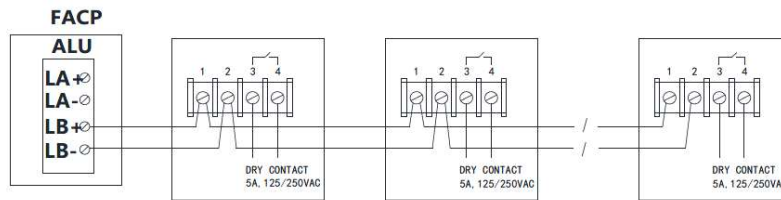


Figure 1. Manual Station Installation



(a) Class A Circuit



(b) Class B Circuit

SPECIFICATION

FW721	
Nominal Voltage	24 VDC
Voltage Range	15 to 28 VDC
Standby Current	0.1 mA
Alarm Current	1 mA
Operating Temperature	32°F to 120°F (0°C to 49°C).
Operating Humidity	0% to 93% RH
Housing Colour	Red with a window cover
Dimension (with base)	120 mm (L) x 120 mm (W) x 54 mm (H)
Weight (with base)	8.4 oz (237 g)
Mounting	FW700 Base
Wiring Gauge	12 to 18 AWG
Dry contact	supplementary 30 VDC

CATALOG NUMBER TO ORDER

Mode	Description
FW721	Addressable pull station English
FW721C	Addressable pull station Bilingual
FW700	Surface box
FW PK	Reset key
STI-1100-FR	Stopper flush mount with 9-volt battery & mini horn
STI-1130-FR	Stopper surface with 9-volt battery & mini horn
STI-1200-FR	Stopper inside flush mount
STI-1230-FR	Stopper inside surface
STI-1250-FR	Stopper flush mount outside
STI-3150-FR	Stopper surface outside