



Power Supply and Charger Unit

FW397 PCU



DESCRIPTION

The FW397 power supply and charger is a subassembly for the FW106 FACP (Fire Alarm Control Panel). It provides power supply output to the system (AMI, ALU, NOU, ROU, XNU, Addressable Loop Circuits, Notification Appliance Circuits, Relay output, Network circuits) with regulated 24VDC. The FW397 uses a microprocessor-controlled transfer circuit to switch the power supply for the system to standby batteries when AC power is off or low. It communicates to FW201 AMI to report fault conditions. The address (default is "1") is set using the rotary switch on the board. It meets the UL864 10th Edition Listed standard and the ULC-S527 3rd Edition Listed standard and FM.

ATTENTION

Products must be installed per the National Fire Alarm Code, NFPA 72, CAN / ULC-S524, and/or National Electrical Code, depending on the country of the installation. Check the information on equipment used in the system from other manufacturers for instructions and restrictions. The detector should never be installed in the following places: where there is a lot of exhaust gas, kitchens, near fireplaces, boilers, etc. Smoke detectors should not be used with detector guards unless the suit has been evaluated and approved for this case.

NOTE

Do not paint this unit.

Any material extrapolated from this document or Maple Armor's instructions or other materials describing the product for promotional or advertising purposes, or any other purpose, including the description of the application, the use, installation, and testing of the product is the sole responsibility of the user. Maple Armor assumes no responsibility for the use. In no event shall Maple Armor's liability exceed the purchase price of the product.

INSTALLATION

- 1) Remove all system power before installation, first the battery then AC. (To power up, connect the AC first, then the battery.)
- 2) Mount FW397 onto the backbox of the FW106 Panel see Figure 1.
- 3) Connect the FW397 with the FW391 PTU using the wires and terminals provided. (see Figure 2.)

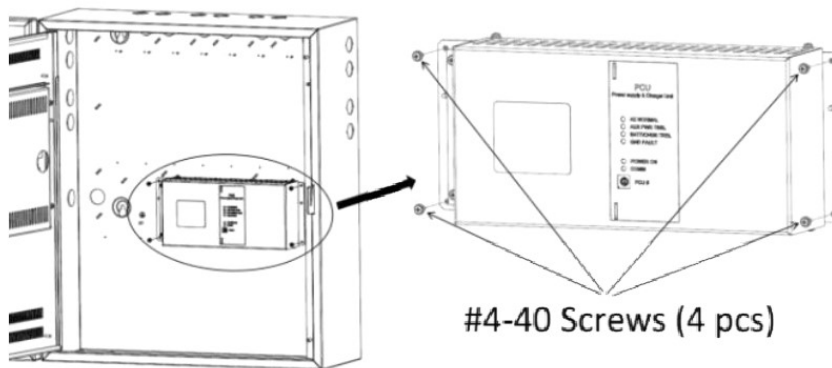


Figure 1. FW397 Installation on the FW106

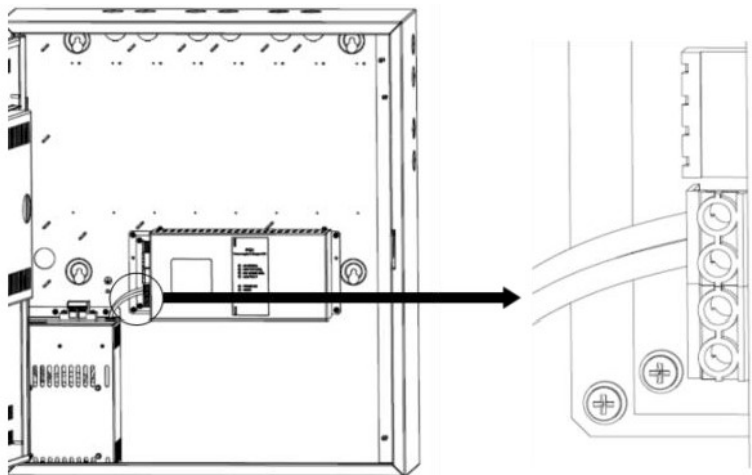


Figure 2

SPECIFICATION

PCU	
AC Input Rating	24 VDC, 12 A max.
Battery Rating	2 x 12 VDC lead-acid battery in series (max 42AH)
Battery Charge Voltage	27.8 VDC
Battery Charge Current	3A
Output Electrical Rating	24 VDC, 12 A max.
Standby Current	65 mA
Alarm Current	65 mA
Operating Temperature	32°F to 120°F (0°C to 49°C)
Operating Humidity	0% to 93% RH
Dimension	293 mm (L) x 120.5 mm (W) x 63.5 mm (H)

CATALOG NUMBER TO ORDER

Model	Description
FW397	Power Supply and Charger Unit