	ADL / 4-INCH SWITCHABLE SLIM PANEL	
	PROJECT :	
	NOTE :	
	COMPANY NAME:	
TYPE:	DATE:	

CATALOG NUMBER:

ITEM CODE

WATT

CCT

BEAM ANGLE

VOLTAGE

OPTION

SPECIFICATION

Input Voltage	120VAC
Input Power	9W
Total Lumens	750LM
Power Factor	0.8
CCT	3CCT : 3000K-4000K-5000K
CRI	80Ra
Dimmability	Dimmable
Optical Characteristics	SMD 2835
Energy Level	A
Work Temperature	-10°C--+40°C
Beam Angle	180°
IP	IP44
Life Span	50 000Hrs
Warranty	5 years



FEATURES

CONSTRUCTION

- Aluminum housing with PMMA lampshade
- Beam Angle 180°
- Power: 9W
- IP44
- Isolated driver steel box with knockouts
- Switch for selectable color temperature (3000k-4000k-5000k)

ELECTRICAL

- 120VAC
- Dimmable
- Operation temperature: -10°C ~ +40°C

MOUNTING

- Ceiling mounting with spring clip
- No housing required

COMPLIANCE

- ETLc
- EnergyStar
- 5-Year Warranty



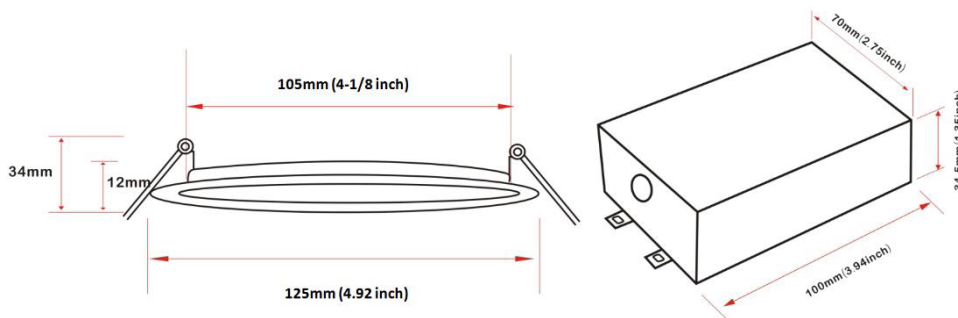
ADL

4-INCH SWITCHABLE SLIM PANEL

MODELS

Item Code	Watts (W)	Lumens (LM)	3CCT	Size	Finish	Voltage
ADL-4-R-W-3CCT-120V	9	750	3000K-4000K-5000K	4"	White	120V

DIMENSION



Type	Outer Diameter (inch)	Cut Hole (inch)	Height (Panel) (inch)
Value	4.92	4-1/8	0.47

DIMMER LIST (LUTRON)

- CTCL-1533PHD-WH-C6681-732
- DV-600PR-WH-CIPSD6-722
- MA-LFQHW-WH-C
- MA-LFQHW-WH-C
- TT-300H-WH-CSA
- MACL-153MRHW-WHC
- CT-600P
- SCL-153P
- CTCL-153P
- DVCL-153P
- MACL-153M
- S-600P