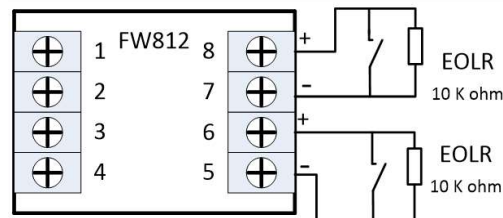
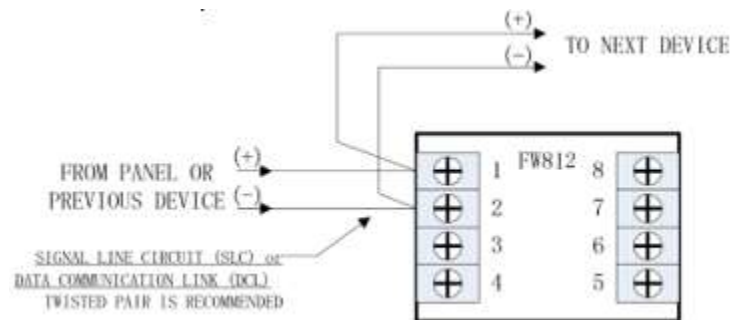
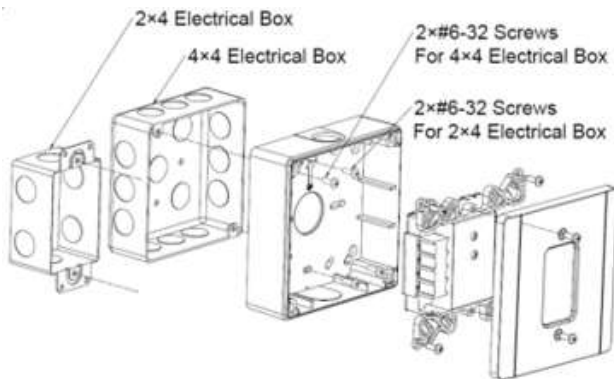


Dual Input Module

FW812

DESCRIPTION


The FW812 dual input module supports two Class B input circuits, each of which can monitor a dry contact device. The input line is monitored for open line faults and ground faults, and the contact must be wired with an end-of-line resistor. It is an intelligent addressable module and takes two addresses on the Signaling Line Circuit (SLC) or Data Communication Link (DCL) of the fire alarm control panel. Two LED indicators are employed to indicate each input circuit's condition. The FW812 is a UL/ULC listed device according to UL864 and ULC-S527 for Fire Alarm Systems for indoor use.



SPECIFICATION

Nominal Voltage	24VDC
Voltage Range	15 to 28VDC
Standby Current	0.5mA
Alarm Current	1.7mA
Max. Line Impedance	25 Ω
Max. Impedance for ground fault detection	6.6 K Ω
Compatible EOLR	FW421 (10K Ω)
Operating Temperature	32°F to 120°F (0°C to 49°C)
Operating Humidity	0% to 93% RH
Mounting	FW800 / FW801 base
Dimension	120 mm (L) x 120 mm (W) x 45 mm (H)
Weight (with backbox)	8.7 oz (247 g)
Wiring Gauge	12 to 18 AWG

ATTENTION

 The products must be installed per the NFPA 72, the CAN/ULC-S524, the CAN/ULCS536, and the Canadian Electrical Code depending on the country of installation. Check information of equipment used in the system by other manufacturers for any guidelines or restrictions.