



In-suite Isolator Module

FW859



DESCRIPTION

The module FW859 Supervised In Suite Isolator Module is designed for installations where disconnection of, or damage to an in-suite audible device will not interfere with the ability of audible devices in other dwelling units, public corridors, or suites to sound on an alarm. The FW859 mounts in a 4" square electrical box. The FW859 provides two supervised isolator outputs. Under this configuration, if the in-suite audible device has an open circuit, the fire control panel will indicate zone trouble.

It is a UL/ULC listed product according to UL864 and ULC-S527 for Fire Protective Signaling Systems for indoor use.

ATTENTION

Products must be installed per the National Fire Alarm Code, NFPA 72, CAN / ULC-S524, and/or National Electrical Code, depending on the country of the installation. Check the information on equipment used in the system from other manufacturers for instructions and restrictions. The detector should never be installed in the following places: where there is a lot of exhaust gas, kitchens, near fireplaces, boilers, etc. Smoke detectors should not be used with detector guards unless the suit has been evaluated and approved for this case.

NOTE

Do not paint this unit.

Any material extrapolated from this document or Maple Armor's instructions or other materials describing the product for promotional or advertising purposes, or any other purpose, including the description of the application, the use, installation, and testing of the product is the sole responsibility of the user. Maple Armor assumes no responsibility for the use. In no event shall Maple Armor's liability exceed the purchase price of the product.

INSTALLATION

This module can be surface-mounted or flush-mounted. The mounting space is shown in figure 1.

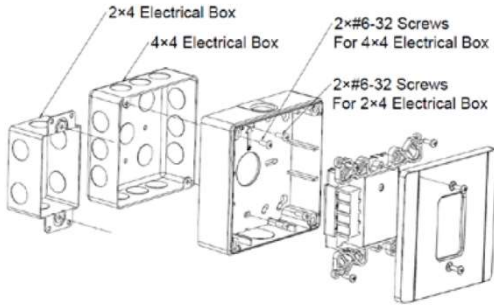


Figure 1. Installation Diagram

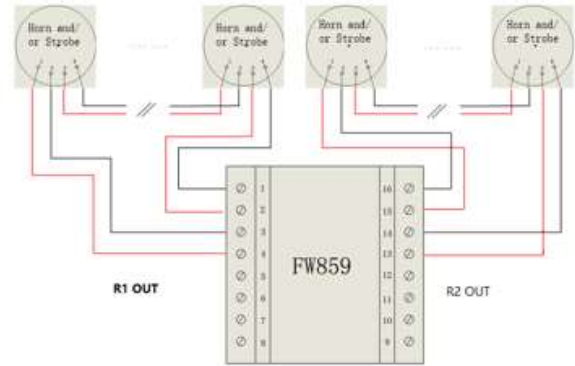


Figure 3 In-suite wiring

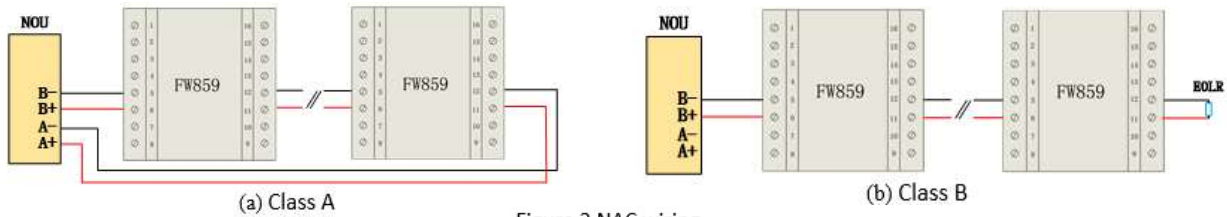


Figure 2 NAC wiring

SPECIFICATION

FW859	
Operating Voltage	Regulated 24VDC, Power Limited
Standby Current	0.1 mA
Active Current	45 mA
Maximum Load @ In-suite terminals (1-2, 3-4, 13-14, 15-16)	200 mA
Minimum Load @ In-suite terminals (1-2, 3-4, 13-14, 15-16)	0 mA
Maximum load @NAC output terminal (11-12)	2 A
Wire Size	12 to 18AWG
Operating Temperature	0° to 49°C (32° to 120°F)
Operating Humidity	0 to 93% RH
Location	Indoor use only

CATALOGUE NUMBER TO ORDER

Model	Description
FW859	In-suite module

