



Conventional Zone Module

FW841



DESCRIPTION

The FW841 conventional zone module is intended to allow Maple Armor intelligent fire alarm control panels to interface and monitor 2-wire CLASS A/B conventional detectors in retrofit or other applications.

The initiating zone can support a mix of 2-wire conventional automatic detectors as well as normally open dry contact alarm initiating devices such as conventional heat detectors and manual stations. Alarm Verification is not permitted when 2-wire detectors are mixed with dry contact alarm initiating devices on the IDC. Alarm Verification is permitted when only compatible smoke detectors are connected to the IDC.

ATTENTION

The products must be installed per the NFPA 72, the CAN/ULC-S524, the CAN/ULCS536, and the Canadian Electrical Code depending on the country of installation. Check information of equipment used in the system by other manufacturers for any guidelines or restrictions.

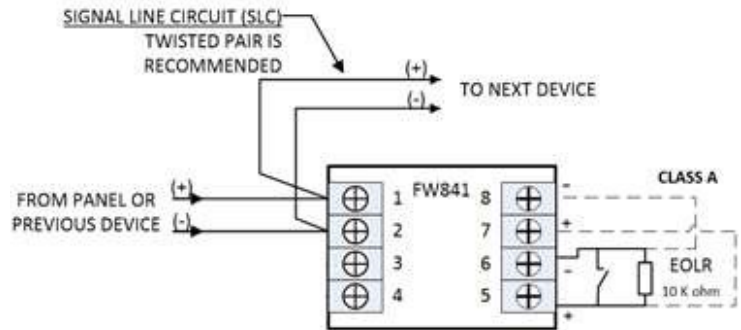
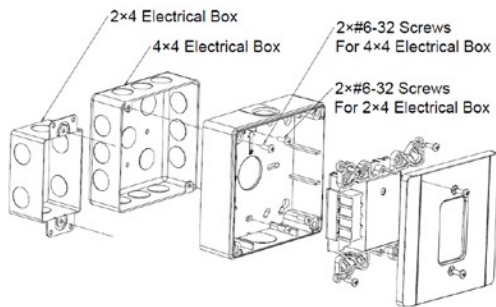
NOTE

Do not paint this unit.

Any material extrapolated from this document or Maple Armor's instructions or other materials describing the product for promotional or advertising purposes, or any other purpose, including the description of the application, the use, installation, and testing of the product is the sole responsibility of the user. Maple Armor assumes no responsibility for the use. In no event shall Maple Armor's liability exceed the purchase price of the product.

INSTALLATION AND WIRING

Mount the FW800/FW801 box onto a 2"X4" or 4"X4" electrical box using the screws provided, as illustrated below. Or mount the module flush mount on a 4"X4" electrical box.



The SLC can only accommodate a max. 6 FW841, each FW841 counts for 35-unit loads.

SPECIFICATIONS

| | |
|------------------------------------|-----------------|
| SLC Nominal Voltage | 24VDC |
| SLC Voltage Range | 20 to 28 VDC |
| SLC Standby Current | 15 mA |
| SLC Active Current | 33 mA |
| Max. IDC Line Impedance | 20 Ω |
| Max. Impedance for Grounding | 6.6 K Ω |
| Max. rated operating voltage range | 14.7 – 25.1V |
| Max. alarm current | 32.7 mA |
| Max. ripple voltage | 300 mV |
| Max. capacitance loading | 1.1 uF |
| Min. Normal Standby impedance | 5.97 K Ω |

| | |
|---|--|
| Max. alarm reset voltage | 0.2 V |
| Min. alarm reset time | 7 s |
| Max. alarm verification retard reset time | 49 s |
| Max. detector restart time for alarm verification | 11s |
| Max. smoke detector load | 1 mA |
| Compatible EOLR | 4k to 10K Ω (e.g. FW421, FW422) |
| Operating Temperature | 32°F to 120°F (0°C to 49°C) |
| Operating Humidity | 0% to 93% RH |
| Dimension | 120 mm (L) x 120 mm (W) x 45 mm (H) |
| Wiring Gauge | 12 to 18 AWG |

CATALOG NUMBER TO ORDER

| Model | Description |
|-------|--------------------------|
| FW841 | Conventional Zone Module |
| FW800 | Surface Box |
| FW801 | Surface Box, Deep |