



## SYNC Module

FW951



### DESCRIPTION

The FW951 Sync Module is a device designed with FW961/FW971/FW981 Horn and/or Strobe with a built-in synchronization circuit to synchronize multiple FW961s in a complete fire alarm system. There are up-to 64 Notification Appliance Circuits (NAC), networked, stand alone or interfacing with the FW951.

#### ATTENTION

The product must be used within its published specifications and properly installed, operated, and maintained, in accordance with these instructions.

Users are solely responsible for determining whether a product is suitable for the user's purposes or achieves the intended results. Read the instructions carefully before using this product. Failure to comply with any of the instructions, cautions, and warnings could result in improper application, installation and/or operation of these products in an emergency situation. This could result in property damage and serious personal injury or death.

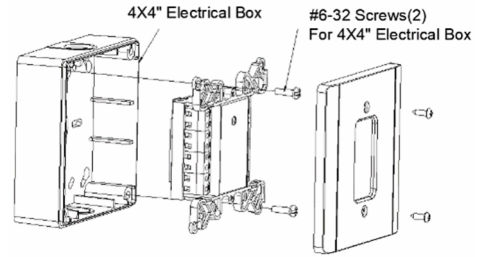
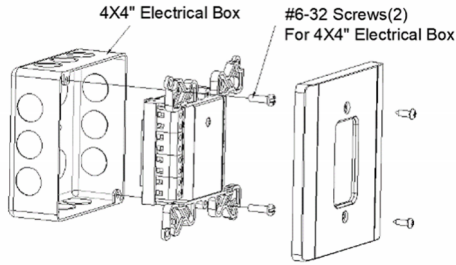
#### NOTE

Do not paint this unit.

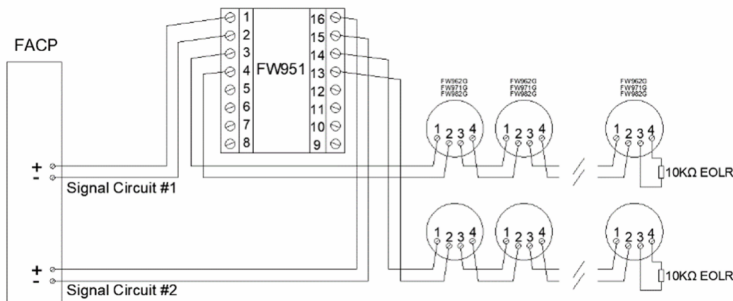
Any material extrapolated from this document or from Maple Armor's instructions or other documents describing the product for use in promotional or advertising claims, or for any other use, including description of the product's application, operation, installation, and testing is the sole responsibility of the user. Maple Armor will not assume any liability for such use. In no case will Maple Armor's liability exceed the purchase price paid for a product.

## INSTALLATION AND WIRING

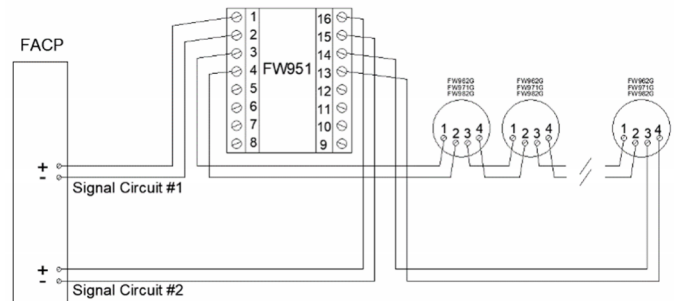
Mount the module onto a 4"X4" electrical box or combine the Printed Circuit Board (PCB) fixed structure and FW800/FW801 box and mount it on a 2"X4" or 4"X4" electrical box using the screws provided.



\*Check installation manual for different wiring options.



Class B without Audible Silence Feature



Class A without Audible Silence Feature

## SPECIFICATIONS

Operating Voltage	16 – 33VDC
Maximum Load	3A on loop
Quiescent Current	0 mA
Wire Size	12 – 18AWG
Operating Temperature	0° - 49°C (32° - 120°F)
Operating Humidity	0% - 93% RH
Synchronization	32 NACs (Class A) or 64 NACs (Class B)
Location	Indoor use only
Compliance	UL 1971, UL 1638, UL 464 ULC S525, ULC 2526

## CATALOG NUMBER TO ORDER

Model	Description
FW951	SYNC Module
FW800	Surface Box
FW801	Surface Box, Deep