



Power Supply Transformer Unit FW391 PTU



DESCRIPTION

The power supply FW391 is a subassembly for the FW106 (FACP Fire Alarm Control Panel). It contains an internal transformer that converts 110-120VAC or 220-240VAC input to 24VAC output. It meets the UL864 10th Edition Listed standard and the ULC-S527 3rd Edition listed standard and FM.

ATTENTION

Products must be installed per the National Fire Alarm Code, NFPA 72, CAN / ULC-S524, and/or National Electrical Code, depending on the country of the installation. Check the information on equipment used in the system from other manufacturers for instructions and restrictions. The detector should never be installed in the following places: where there is a lot of exhaust gas, kitchens, near fireplaces, boilers, etc. Smoke detectors should not be used with detector guards unless the suit has been evaluated and approved for this case.

NOTE

Do not paint this unit.

Any material extrapolated from this document or Maple Armor's instructions or other materials describing the product for promotional or advertising purposes, or any other purpose, including the description of the application, the use, installation, and testing of the product is the sole responsibility of the user. Maple Armor assumes no responsibility for the use. In no event shall Maple Armor's liability exceed the purchase price of the product.

INSTALLATION

- 1) Remove all system power before installation, first the battery then AC. (To power up, connect the AC first, then the battery.)
- 2) Mount FW391 onto the backbox of the FW106 FACP using two #4-40 screws provided, see Figure 1. (see figure 1)
- 3) Connect the FW391 with the FW397 PCU using the wires and terminals provided. and terminals provided (see Figure 2.)

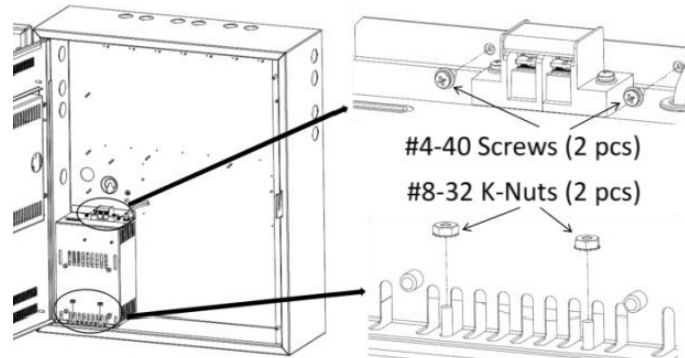


Figure 1

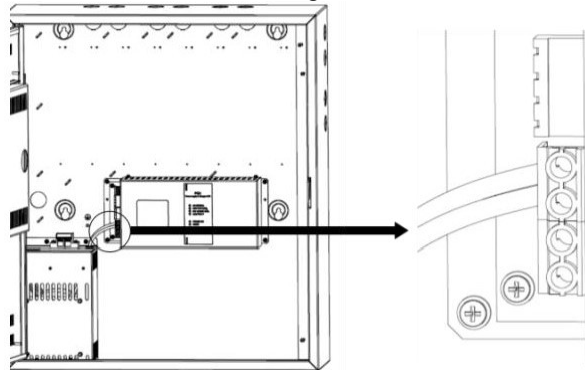


Figure 2

SPECIFICATIONS

Input Electrical Rating	110 - 120 VAC, 50 Hz/60 Hz, 3.86A
	220 - 240 VAC, 50 Hz/60 Hz, 1.96A
Output Electrical Rating	24 VAC, 12 A max
Operating Temperature	32°F to 120°F (0°C to 49°C)
Operating Humidity	0% to 93% RH
Dimension	227 mm (L) x 140 mm (W) x 106 mm (H)

CATALOG NUMBER TO ORDER

Model	Description
FW391	Power Supply Transformer Unit