



# Remote Annunciator FW123(R)/FW123(DG)



## DESCRIPTION

The FW123(R) and FW123(DG) are Remote LCD Annunciators UL/ULC listed according to UL 864 and ULC- S527 for Fire Alarm Systems for indoor use. These annunciators have a 7" color 800×480 resolutions LCD, 6 auxiliary function keys, and 9 LED indicators making it the most intuitive fire-alarm user interface. In total, up to 110 annunciators or 110 panels can be connected to the FW105/FW106/FW106S FACP via CAN bus in Class B to form a fire emergency detection and notification network system.

### ATTENTION

Products must be installed per the National Fire Alarm Code, NFPA 72, CAN / ULC-S524, and/or National Electrical Code, depending on the country of the installation. Check the information on equipment used in the system from other manufacturers for instructions and restrictions. The detector should never be installed in the following places: where there is a lot of exhaust gas, kitchens, near fireplaces, boilers, etc. Smoke detectors should not be used with detector guards unless the suit has been evaluated and approved for this case.

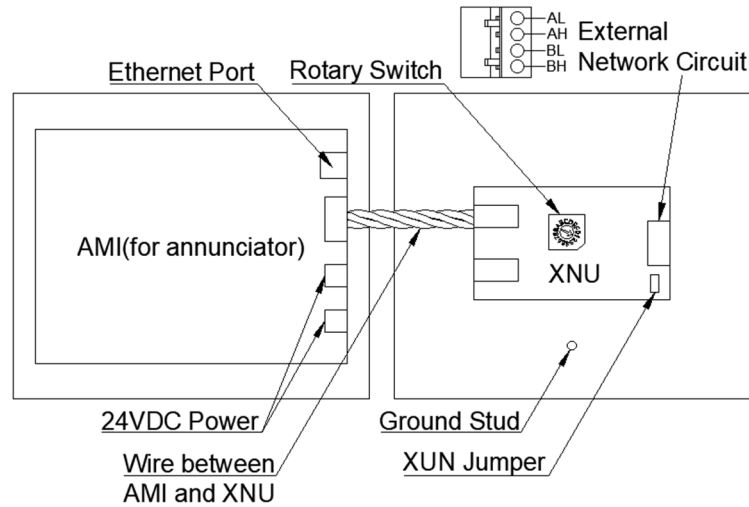
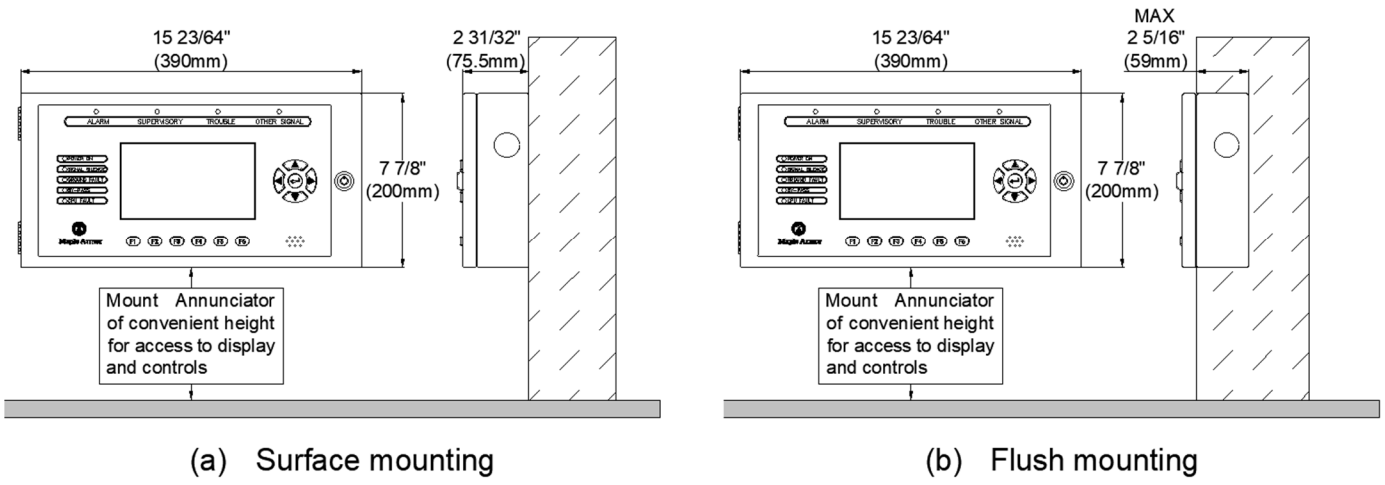
### NOTE

Do not paint this unit.

Any material extrapolated from this document or Maple Armor's instructions or other materials describing the product for promotional or advertising purposes, or for any other purpose, including the description of the application, the use, installation and testing of the product is the sole responsibility of the user. Maple Armor assumes no responsibility for the use. In no event shall Maple Armor's liability exceed the purchase price of the product.

# INSTALLATION

The cabinet can be surface-mounted or flush-mounted. The mounting space is shown in the figure below.



## SPECIFICATIONS

Operating Voltage	24VDC (Powered by Panel Aux. output)
Standby Current	170mA
Alarm Current	173mA
Operating Temperature	32°F to 120°F (0°C to 49°C)
Operating Humidity	Up to 93% @ 90°F (32°C)
Weight	102.3 oz (2.9kg)
Color	Red / Dark Gray
Location	Indoor dry

## CATALOG NUMBER TO ORDER

Model	Description
FW123(R)	Remote LCD Annunciator with 7" color LCD, 1 AMI, 1 XNU, and standard red color enclosure with English silkscreen with a lockable door
FW123(DG)	Remote LCD Annunciator with 7" color LCD, 1 AMI, 1 XNU, and standard Dark Gray color enclosure with English silkscreen with a lockable door
FW431(R)	Red color trim ring for FW122/FW123/FW129
FW431(DG)	Dark Gray color trim ring for FW122/FW123/FW129
FW437(R)	Red color dual trim for FW122/FW123/FW129
FW437(DG)	Dark Gray color dual trim for FW122/FW123/FW129