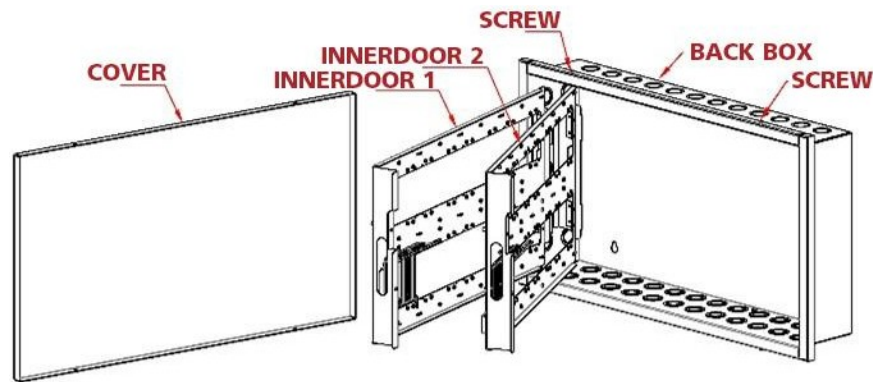


Module Box

FW434/FW435

DESCRIPTION

The FW434 and FW435 are module boxes allowing the installation of multiple Maple Armor modules into one cabinet. FW434 can fit up to 16 modules and FW435 can fit up to 8 modules. They integrate an external door, two mounting plates, and a backbox. They meet the UL864 10th Edition Listed standard and the ULC-S527 4th Edition Listed standard.



ATTENTION

The products must be installed in accordance with NFPA 72 and/or CAN/ULC- S524, depending on the country of installation. Check the information on equipment used in the system by other manufacturers for any guidelines or restrictions.

NOTE

Do not paint this unit.

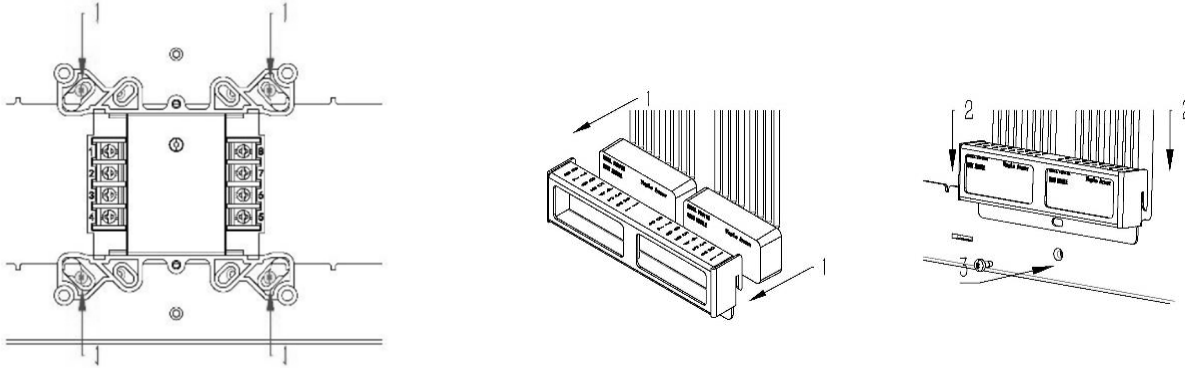
Any material extrapolated from this document or Maple Armor's instructions or other documents describing the product for use in promotional or advertising claims, or for any other use, including a description of the product's application, operation, installation, and testing is the sole responsibility of the user. Maple Armor will not assume any liability for such use. In no case will Maple Armor's liability exceed the purchase price paid for a product.

INSTALLATION AND WIRING

The cabinet must be fastened securely to a clean, dry, shock-free, and vibration-free surface in a protected environment. When mounting the cabinet, position the cabinet clear of obstructions so that the door can open freely.

Mini-input module mounting bracket accommodates two modules (ordered separately).

Mount the standard modules and mini-input modules onto each slot on the backbox using four #6-32 screws provided, see below.



SPECIFICATIONS

FW434	Weight	21.6lbs (9.8kg)
	Size	622 mm (W) × 114mm (H) × 355.6 mm (D)
	Size	23" (W) × 12" 9/16 (H) × 3" 15/16 (D)
FW435	Weight	11.7lbs (5.3kg)
	Size	381mm (W) × 114 mm (H) × 355.6mm (D)
	Size	13" 9/16 (W) × 12" 9/16 (H) × 3" 15/16 (D)

CATALOG NUMBER TO ORDER

Model	Description
FW434(DG)	Module Box (fits 16 modules), Dark Gray
FW434(R)	Module Box (fits 16 modules), Red
FW435(DG)	Module Box (fits 8 modules), Dark Gray
FW435(R)	Module Box (fits 8 modules), Red
FWMMB	Mini module, mounting bracket