



## Mini Input Module

### FW811M



#### DESCRIPTION

The FW811M Input Module is designed to be inserted into a single gang utility box next to the dry contact device that it is monitoring.

The FW811M input module monitors a single contact. The input line is monitored for open line faults and ground faults, and the contact must thus be wired with an end-of-line resistor. It is an intelligent addressable module and takes one address on the Signaling Line Circuit (SLC) or Data Communication Link (DCL) of the fire alarm control panel. The FW811M is a UL/ULC listed device according to UL864 and ULC-S527 for Fire Protective Signaling Systems for indoor use. The type of input event is configurable. A remote red LED indicator connected to the red & black wires is used to show the module's status.

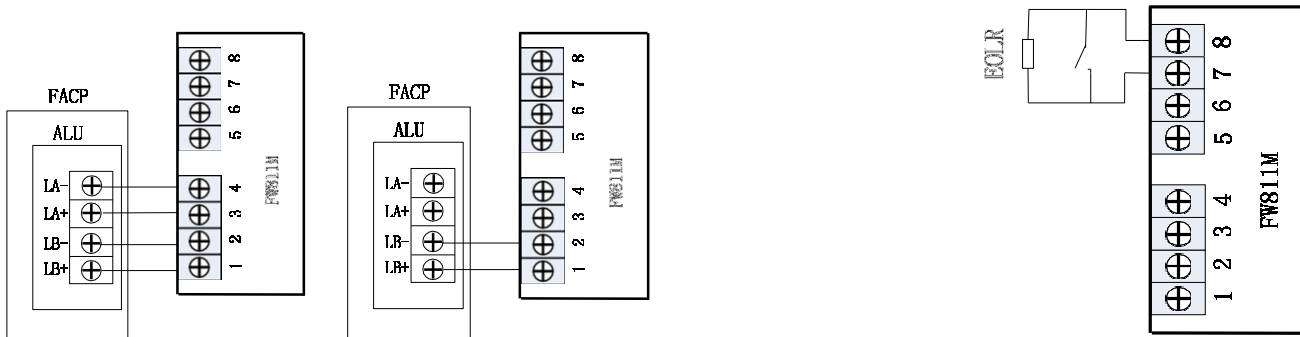
- **Alarm Causing:** An alarm causing input will produce an ALARM event. The remote red LED will indicate the alarm condition by turning on steady. A return to the normal condition will be ignored and the remote LED indicator will remain latched in the red alarm condition until a reset command has been received.
- **Supervisory/Trouble/Monitor Causing:** By changing the FW811M input module functions from its attribute interface on FACP, it can be configured to be a supervisory, trouble, or monitor signal, which will produce a SUPERVISORY, TROUBLE, or MONITOR event. The remote red LED will indicate the event condition by turning on steady. The supervisory and monitor are latched/non-latched selectable. A return to the normal condition will cause the event to disappear and the remote LED indicator will return to the normal condition if the supervisory/monitor is non-latched. A return to the normal condition will not cause the event to disappear and the device LED indicator will remain in event condition if the supervisory/monitor is latched. The trouble is non-latched.

#### ATTENTION

Products must be installed per the National Fire Alarm Code, NFPA 72, CAN / ULC-S524, and/or National Electrical Code, depending on the country of the installation. Check the information on equipment used in the system from other manufacturers for instructions and restrictions. The detector should never be installed in the following places: where there is a lot of exhaust gas, kitchens, near fireplaces, boilers, etc. Smoke detectors should not be used with detector guards unless the suit has been evaluated and approved for this case.

## INSTALLATION AND WIRING

1. Mount the module into electrical box
2. Wire the SLC/DCL to the module, as illustrated in Figure 1.
3. Connect the input line circuit wires. The maximum line impedance for the input circuit is 25Ω. See Figure 2.



(a) Class A or DCLA Circuit (b) Class B or DCLB Circuit

Figure 1 Wiring Diagram (SLC/DCL)

Figure 2 Wiring Diagram (Input Line Circuit)

4. Connect the remote LED indicator. See Figure 3. Note: The remote LED indicator should be located in the same room as the FW811M.

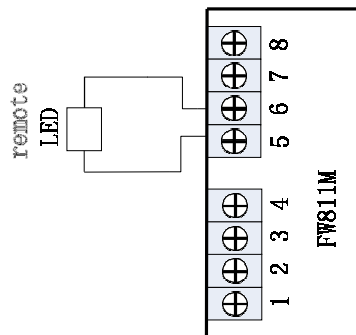


Figure 3 Wiring Diagram (Input Line Circuit)

5. Apply power to the control unit.

### NOTE

Do not paint this unit.

Any material extrapolated from this document or Maple Armor's instructions or other materials describing the product for promotional or advertising purposes, or any other purpose, including the description of the application, the use, installation, and testing of the product is the sole responsibility of the user. Maple Armor assumes no responsibility for the use. In no event shall Maple Armor's liability exceed the purchase price of the product

## SPECIFICATIONS

Nominal Voltage	24VDC
Voltage Range	15 to 28VDC
Standby Current	0.17mA
Alarm Current	0.80mA
Max. Line Impedance	25 $\Omega$
Max. Impedance for Grounding	6.6 K $\Omega$
Compatible EOLR	FW421 (10K $\Omega$ )
Operating Temperature	32°F to 120°F (0°C to 49°C)
Operating Humidity	0% to 93% RH
Nominal Voltage	24VDC

## CATALOG NUMBER TO ORDER

Model	Description
FW811M	Mini Module
FW561-RI	Remote LED Indicator